

# XSD系列洗砂机

## Sand Washing Machine



洗净度高，结构合理，处理量大，功率消耗小，洗砂过程中  
砂子流失少等

Has the features like high cleaning ratio, reasonable structure,  
high handling capacity, economical power cost, less loss etc.

## 产品简介 Brief Introduction

XSD系列高效洗砂机是配合制砂机使用的一种轮斗式的必备洗砂设备，它可以洗去制砂机制出的混合砂子中含有的微量石粉和杂质，从而提高砂子质量。XSD系列洗砂机采用先进技术，是结合国内砂石行业实际情况而研制出的的高效洗砂设备，具有洗净度高，结构合理，处理量大，功率消耗小，洗砂过程中砂子流失少等特点，尤其是其传动部分均与水，砂隔离，机器故障率大大低于目前常用洗砂机，是国内洗砂行业升级换代的最佳选择。

XSD series sand washing machine with its wheel-like structure is the necessary equipment used with sand making machine. It can wash stone powder and residual away from the mostly. XSD sand washing machine adopts advanced technology, takes the sand industry's practical condition into consideration, has the features like high clean ratio, reasonable structure, high handling capacity, economical power cost, less loss. Especially the well-designed structure makes transmission part isolated from water and sand, so the malfunction is reduced enormously. So this sand washing machine is the best choice for product's updating and upgrading.

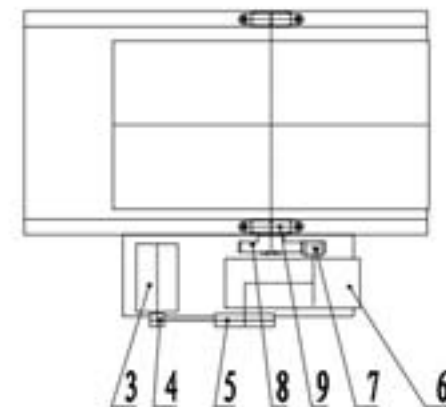
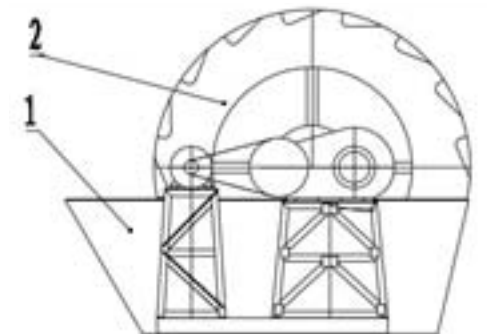
## 产品结构图 Structure

主机部分主要结构如图所示

The structure of the main body as following:

- 1.清洗槽
- 2.叶轮
- 3.电动机
- 4.电机皮带轮
- 5.减速机带轮
- 6.减速机
- 7.小齿轮
- 8.大齿轮
- 9.轴承座

1. Rinse Tank
2. Impeller
3. Motor
4. Belt Pulley
5. Reducction Gear Pulley
6. Reduction Gear
7. Small Gear Wheel
8. Big Gear Wheel
9. Bearing House



## 适用范围 Application

本系列洗砂机广泛适用于冶金、建材、水电等行业的洗选、分级、除杂等作业，适用于细粒度和粗粒度物料的洗选作业。对建筑用砂、筑路用砂石尤为适宜。特别用于建筑工地、砂石厂、水电站、混凝土大坝工地、邮电电杆厂所需砂石及铸造用“七〇”砂、玻璃厂石英砂及油井回填料用压力砂的洗选、分级和脱水，是制砂生产线中必不可少的设备之一。

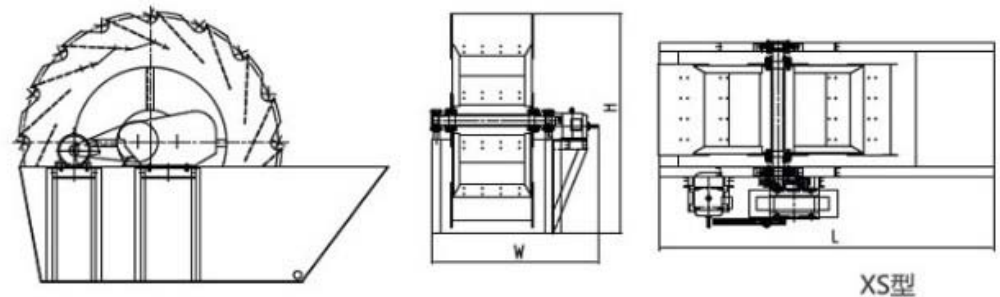
This series sand washing machine is widely used in metallurgy, building materials, and other industries washing, grading, cleaning and other operations, also applicable to fine-grained and coarse-grained materials washing operation. Especially for construction sites, gravel plants, hydroelectric, concrete dam site, post and electric pole and the foundry sand and gravel required for "70" sand, glass sand and oil sand backfill pressure washing, grading and dehydration. For sand production line, sand washing machine is necessary.



## 工作原理 Working Principle

洗砂机工作时，电机通过三角带、减速机、齿轮减速后带动叶轮缓慢转动，砂石有给料槽进入洗槽中，在叶轮的带动下翻滚，并互相研磨，除去覆盖砂石表面的杂质，同时破坏包覆砂粒的水汽层，以利于脱水；同时加水，形成强大水流，及时将杂质及比重小的异物带走，并从溢出口洗槽排出，完成清洗作用。干净的砂石由叶片带走，最后砂石从旋转的叶轮倒入出料槽，完成砂石的清洗作用。

When the sand washing machine is working, the motor through v-belts, deceleration machine, gear decelerating make the impeller turn slowly. The sand have washed into the tank, with the driving of impeller, grind each other and remove the impurities, and destruct the coated sand of water vapor layers for better dehydration; At the same time, adding water to form powerful flow of water to take a small proportion of the impurities and the foreign body away. The clean sand is taken by the blade from rotating impeller last into the material slot, complete the cleaning sand.



## 性能特点 Features

- 1.结构简单，叶轮传动轴承装置与水和受水物料隔离，大大避免了轴承因浸水、砂和污染物导致损坏的现象发生；
- 2.中细砂的流失极少，所洗建筑砂级配和细度模数达到标准要求；
- 3.该机除筛网外几乎无易损件；
- 4.使用寿命长，长期不用维护。

1.The sand washing machine has simple structure, big gap between impeller transmission bearing system and water as well as raw materials, so that it protects the bearing from dipping into the water, sand and other pollutants.

2.Mid-fineness sand seldom lapses out. The grade and fineness of washed build sand can reach required standard.

3.There are no wearing parts except sieves.

4.Long service life and little maintenance.

## 产品规格 Specification

型号	Model	XSD-2610	XSD-2816	XSD-3016	XSD-3620
叶轮规格	Wheel size ( mm)	2600x1000	2800x1600	3000x1600	3600x2000
叶轮转速	Wheel Speed ( r/min )	1.178	1.177	1.179	1.15
处理量	Capacity(t/h)	20-50	30-60	50-120	80-160
进料边长	Feeding Size(mm)	≤10	≤10	≤10	≤10
电机功率	Power(kw)	7.5	7.5-11	11-15	22-30
减速机型号	Reducer Model	ZQ400-50-I-Z	ZQ650-50-I-Z	ZQ650-50-I-Z	ZQ650-50-I-Z
外形尺寸	Dimension ( mm )	3255x1982x2690	3540x3000x2880	3845x3000x3080	4650x3700x2750

注：上海山启机械制造有限公司保留更改产品设计与规格的权利，届时恕不另行通知。

Note: shunky machinery keeps the right of changes of design and specification; Any change shall not be advised additionally.

产品图片  
Product picture

生产现场  
Products on site



XSD2816



XSD3016



## 企业介绍 Enterprise Introduction

## 企业介绍 Enterprise Introduction

上海山启机械制造有限公司是一家集研发、生产、销售、服务于一体的专业的破碎筛分设备厂商。公司自1996年成立以来，始终致力于矿山破碎设备、制砂设备和工业磨粉设备的研发和生产，包括颚式破碎机，圆锥破碎机、反击式破碎机、立轴冲击破碎机(制砂机)、移动式破碎站和振动筛等主要产品，为高速公路、铁路、水电、矿山开采等大型工程项目提供了诸多高端成套设备。

公司总部位于国际金融中心--上海。十几年的机械研发与生产经验、10余万平方米的生产基地、专业的技术与近千人的服务队伍为上海山启打造百年基业提供了不竭动力。目前，上海山启机械制造有限公司按照ISO9001:2000国际质量认证体系标准进行设计、生产、组装、检测。公司产品通过了CE认证，销售网络不仅遍布湖南、山西、青海、新疆、广西、云南等国内几十个大中小城市，成套设备也已出口到俄罗斯、蒙古、越南、斯里兰卡、沙特阿拉伯、黎巴嫩、卡塔尔、马来西亚、菲律宾、尼日利亚、刚果、埃塞俄比亚、澳大利亚、秘鲁、巴西等几十个国家和地区，平均每年销售额突破2亿元。公司在沙特阿拉伯，俄罗斯，蒙古，马来西亚等地区发展了代理商，为客户提供更便捷的咨询与服务。

上海山启机械制造有限公司不仅致力于将现代化先进科技与优秀技术传统相结合，不断改进设备，竭力为客户提供最优质高效的产品。技术研发部坚持以改进和创新为目标，相继研发出SKJ系列欧版颚式破碎机，VSI系列制砂机，优化并提高了移动式破碎站，振动筛采取了稀油润滑系统，在国内同行中处于技术领先地位。公司产品的外观质量和内在质量得到了同行和客户的一致好评。

建立了完善的管理体系，拥有技术研发部，生产部，质检部，国内销售部，国际贸易部，财务部，售后服务部，人力资源部等部门。现有员工500余人。公司特别注重人才的培养和引进。目前大专以上学历的员工占全体人员总数的70%以上。对高素质的人才的重视和大胆启用，已成为上海山启不断向前发展的内在动力。建立了完善的售后服务体系，向客户提供专业的系统解决方案，为实现客户利益最大化而奋斗。

质量是生命，创新是动力，服务是保证。上海山启机械制造有限公司将本着“一切为了客户，为了客户的一切”的企业理念，秉承“专业精神打造臻品”的企业精神，不断开拓创新，用自己优秀的技术成果和竞争性的产品性价营造着自己的品牌帝国，以满腔热情开拓新的专业领域，向更高的理想昂首前行！

Shanghai Shunky Machinery Co.,Ltd is a crushing and screening equipment manufacturer with R&D, production, marketing and service rolled into one. Since its foundation in 1996, Shunky has been devoted itself to the R&D and manufacture of mining crushing equipment, sand making equipment and industrial grinding mill, which include main products such as jaw crusher, cone crusher, impact crusher, vertical shaft impact crusher(sand making machine), mobile crushing plant, vibrating screen etc. Shunky has provided many high-end whole sets of equipments for construction projects of large scales such as highway, railway, hydropower and mining industry.

Corporate headquarters is located in the international centre of finance—Shanghai. Years' experience of machinery R&D and manufacture, production base covering more than 100 square metres, professional technology and a service team of nearly 1000 specialized staff provide Shanghai Shunky with infinite power to build its great foundation. Currently, the designing, producing, assembling and detecting are all operated by Shanghai Shunky Machinery Co.,Ltd .



## 企业介绍 Enterprise Introduction

山启机械  
Shunky Machinery

under the standards of international quality management system ISO9001:2000. Shunky's sales network not only covers provinces of domestic market such as Hunan, Shanxi, Qinghai, Xinjiang, Guangxi and Yunnan, whole sets of equipment are exported to dozens of countries and regions such as Russia, Mongolia, Vietnam, Sri Lanka, Saudi Arabia, Lebanon, Qatar, Malaysia, the Philippines, Nigeria, Congo, Ethiopia, Australia, Peru, Brazil with an average of annual sales being over 200 million RMB. There are agents developed in Saudi Arabia, Russia, Mongolia and Malaysia, which makes it easier and faster to provide convenient consultation and service.

Shanghai Shunky Machinery Co.,Ltd dose not only devote itself in to the combination of modern technology and fine tradition, but also constantly improves the equipment and provide clients with products with premium quality and efficiency. Taking improvement and innovation as the goal, R&D Department has been doing research to produce SKJ series European version jaw crusher, VSI series new sand making machine and to upgrade mobile crushing plant. The adoption of thin oil lubrication system makes Shunky products in the leading position in the industry. Both the appearance and the inner quality achieve the acknowledgement of peers and clients.

Complete management system is built with R&D Department, Product Department, Quality Inspection Department, Domestic Sales Department, International Trade Department, Financial Department, After-sales Service Department, Human Resources Department etc. The amount current staff has reached 500. Shunky values the cultivation and introduction of talents. So far, the proportion of junior college staff has reached 70%. The importance and appointment attached on talents has become an inexhaustible motivation pushing Shanghai Shunky to move forward. The complete after-sales service system is built to provide professional system solution for clients, and Shunky is making efforts for the maximum benefits for clients.

Quality is enterprise's life, innovation is the motivation, and service is the guarantee. Holding the corporate principle of "all for customers and customers are all for us" and the corporate culture of "making premium products with profession", Shanghai Shunky Co.,Ltd has been doing innovation and using the premium products of high technology and competitiveness to build the empire of Shunky. Shunky is exploring new specific field with passion and advancing with greater goals!



## 专业精神打造臻品·山启机械引领全球

PRODUCE PERFECT PRODUCTS SHUNKY MACHINERY TAKES THE LEAD IN THE WORLD